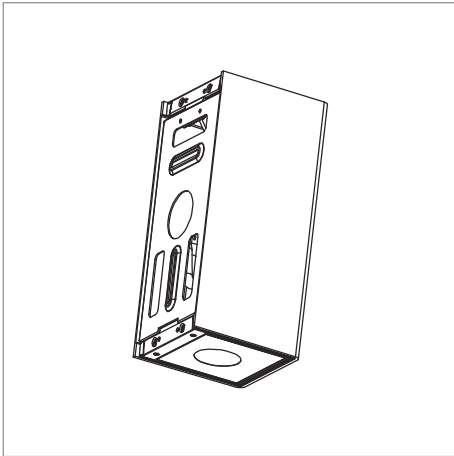
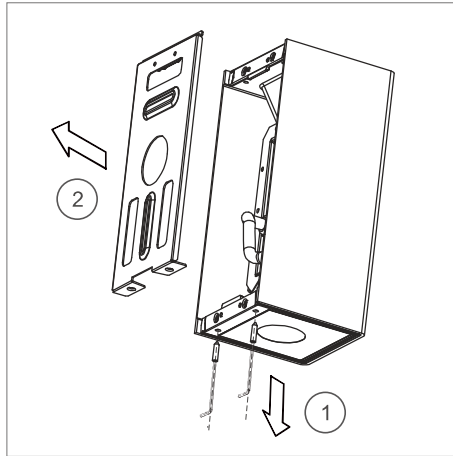


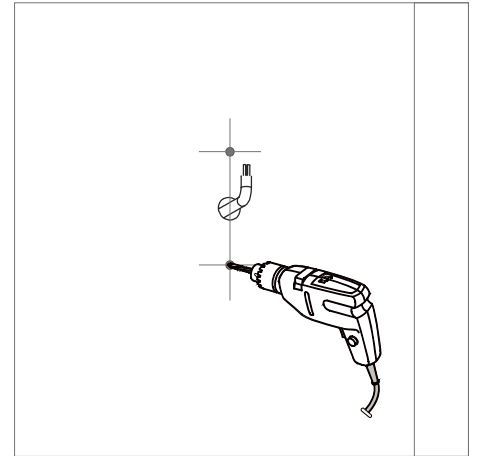
# Installation instruction



the leds are not replaceable



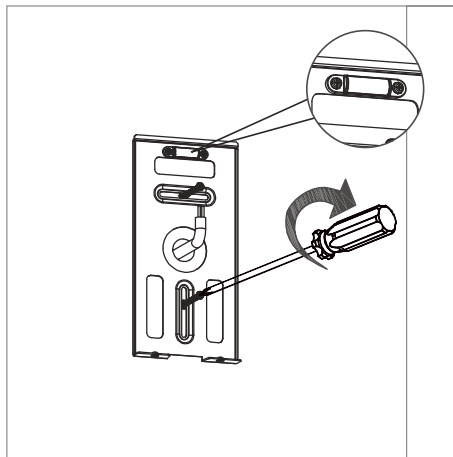
1. take off the mounting bracket by Allen-key screw driver.



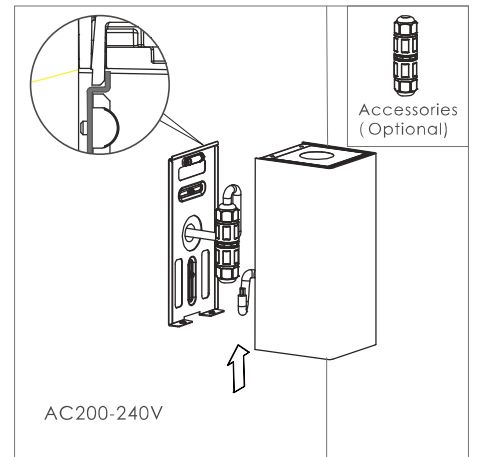
2. Drill two holes on the wall  
( $\Phi=8\text{mm}$ , depth=50mm, distance 85-125mm)



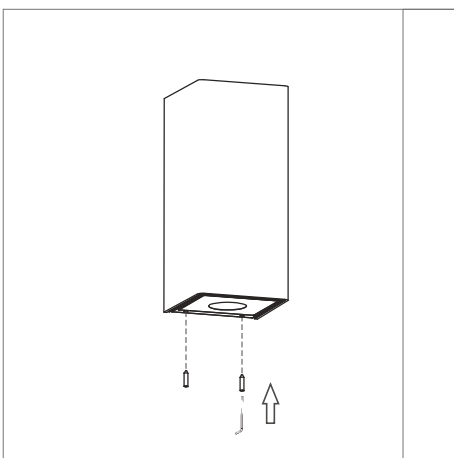
3. Fix the expansion bolt into the holes



4. Fix the mounting bracket onto the wall by screws  
(gradienter to ensure the level)



5. Connect the power cable  
( make sure the switch is turned off)

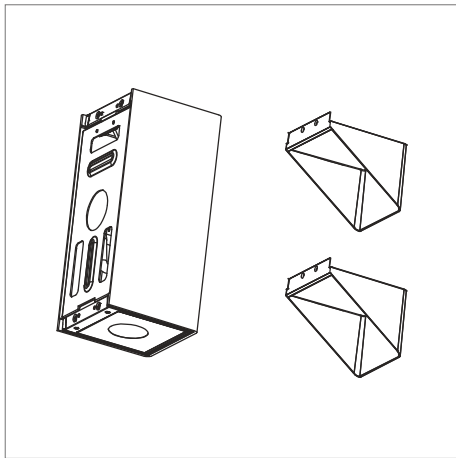


6. Fix the light to the bracket by screws

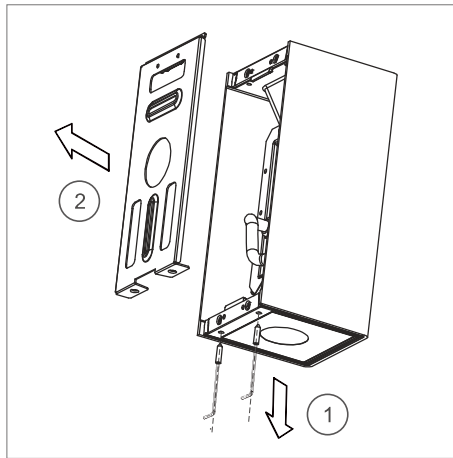


if the external flexible cable or cord of this luminaire is damaged, it shall be exclusively replaced by the manufacturer or his service agent or a similar qualified person in order to avoid a hazard.

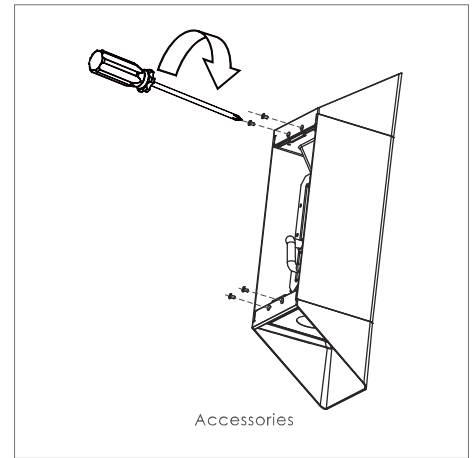
# Installation instruction



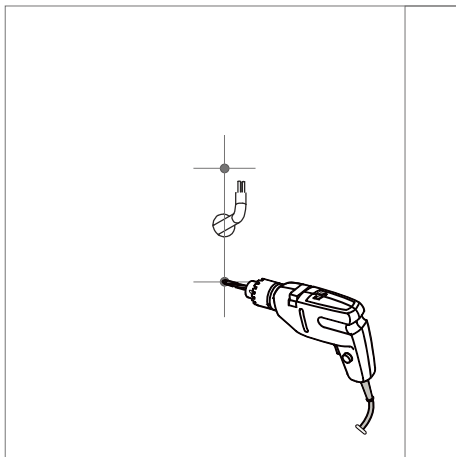
the leds are not replaceable



1. take off the mounting bracket by Allen-key screw driver.



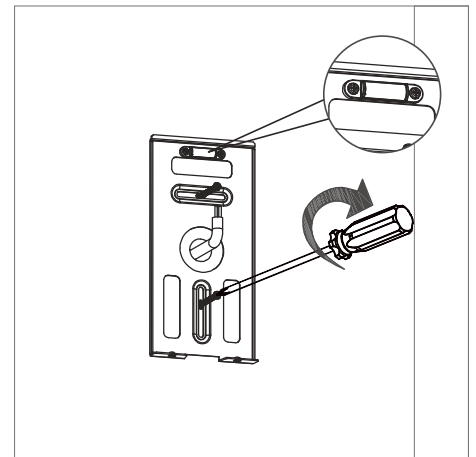
2. Install the anti-glare hood



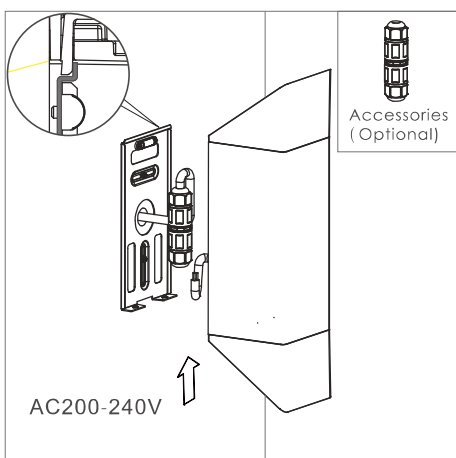
3. Drill two holes on the wall  
( $\Phi=8\text{mm}$ , depth=50mm, distance 85-125mm)



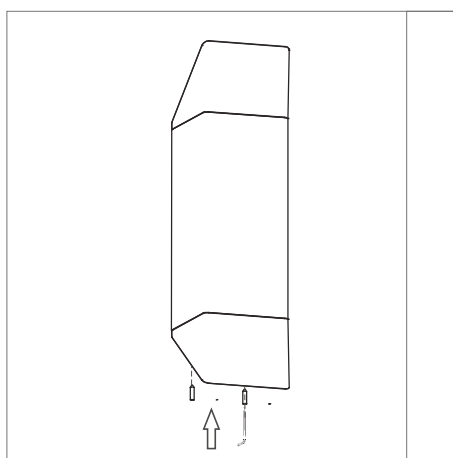
4. Fix the expansion bolt into the holes



5. Fix the mounting bracket onto the wall by screws  
(gradienter to ensure the level)



6. Connect the power cable  
( make sure the switch is turned off)



7. Fix the light to the bracket by screws



if the external flexible cable or cord of this luminaire is damaged, it shall be exclusively replaced by the manufacturer or his service agent or a similar qualified person in order to avoid a hazard.