

BOLLARD MX 028 C



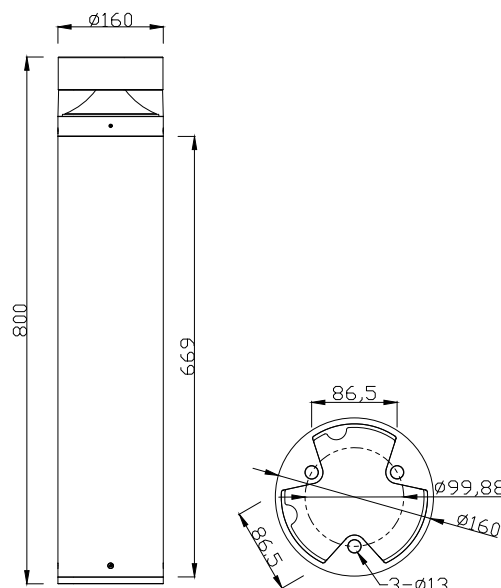
Main body is made of die-casting aluminum and extruded aluminum alloy. Clear PC diffuser, anti high temperature, anti-ultraviolet. Covered with electrostatic spray treatment. High strength heat sink. High quality LED chips, high efficiency Light distribution curve.



PRODUCT SPECIFICATIONS

- INPUT VOLTAGE: 230V AC / 50Hz
- POWER CONSUMPTION: 10W (532lm), 14W (809lm), 20W (1067lm), 24W (1219lm)
- LIFETIME: > 50 000 hours
- THERMAL PROTECTION: yes
- LED DEVICE: LUMILEDS
- LED VARIANTS: 2700K, 3000K, 4000K and other according requirement
- WEIGHT: 5,2 kg
- OPERATING TEMPERATURE: range -30°C to +60°C
- ENVIRONMENT: for OUTDOOR use, IP65
- MATERIALS: die-casting aluminum (RAL COLOR), Clear PC diffuser
- CONTROL: ON/OFF

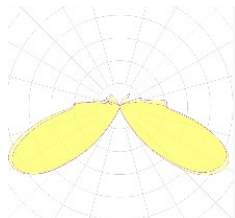
DIMENSIONAL DRAWINGS



BOLLARD MX 028 C

PHOTOMETRICS

- Variants:



ACCESSORIES

- See website

CONNECTION

- See instruction manual