

## BOLLARD MX 029C



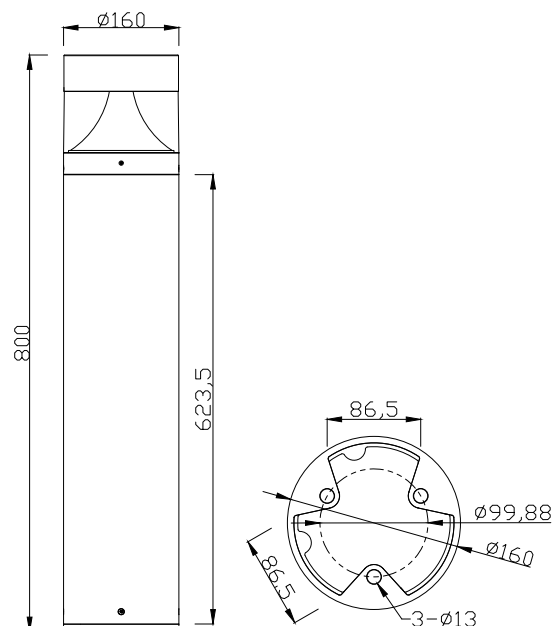
Main body is made of die-casting aluminum and extruded aluminum alloy. Clear PC diffuser, anti high temperature, anti-ultraviolet. Covered with electrostatic spray treatment. High strength heat sink. High quality LED chips, high efficiency Light distribution curve.



### PRODUCT SPECIFICATIONS

- INPUT VOLTAGE: 230V AC / 50Hz
- POWER CONSUMPTION: 10W (867lm), 14W (1214lm), 20W (1536lm), 24W (1843lm), 28W(2150lm), 30W(2280lm)
- LIFETIME: > 50 000 hours
- THERMAL PROTECTION: yes
- LED DEVICE: LUMILEDS
- LED VARIANTS: 2700K, 3000K, 4000K and other according requirement
- WEIGHT: 5,1 kg
- OPERATING TEMPERATURE: range -30°C to +60°C
- ENVIRONMENT: for OUTDOOR use, IP65
- MATERIALS: die-casting aluminum (RAL COLOR), Clear PC diffuser
- CONTROL: ON/OFF

### DIMENSIONAL DRAWINGS

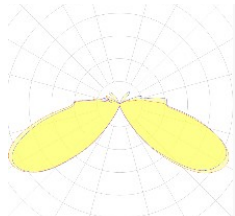


---

## BOLLARD MX 029C

### PHOTOMETRICS

- Variants:



---

### ACCESSORIES

- See website

---

### CONNECTION

- See instruction manual