

### SOPHIA STANDARD SST 12/24V



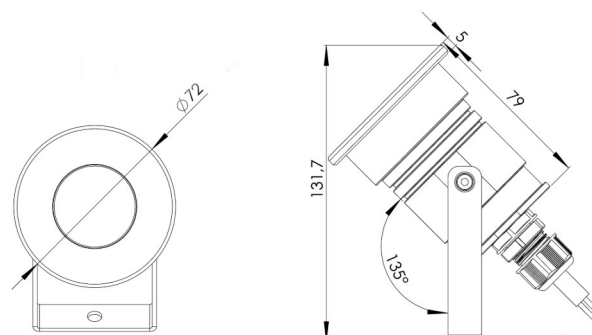
The FLOODLIGHTS series was designed using modern simulation methods in order to obtain the highest product quality.



#### PRODUCT SPECIFICATIONS

Working temperature range	-20°C ÷ +55°C
Power consumption	6W
IP protection class	IP67
Lifetime L80B10	≥ 60 000h
Impact resistance	IK10
Protection class	III
Connection	0.5m
Wiring	H07RN-F 2X1.5
Dimming	ON-OFF/PWM
Luminous flux tolerance	±10%
Angle of distribution	10°, 20°, 45°

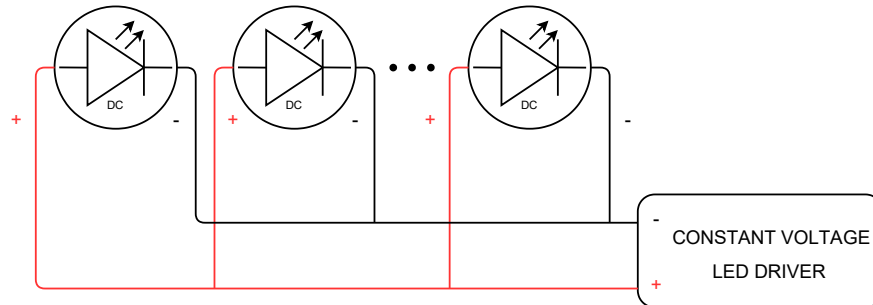
#### DIMENSIONAL DRAWINGS



### SOPHIA STANDARD SST 12/24V

#### CONNECTION

Connecting to the power supply should be done when the power supply is off.



#### ACCESSORIES

- SOPHIA STANDARD SPIKE+PLATE mounting accessory

