

RECUBE DW



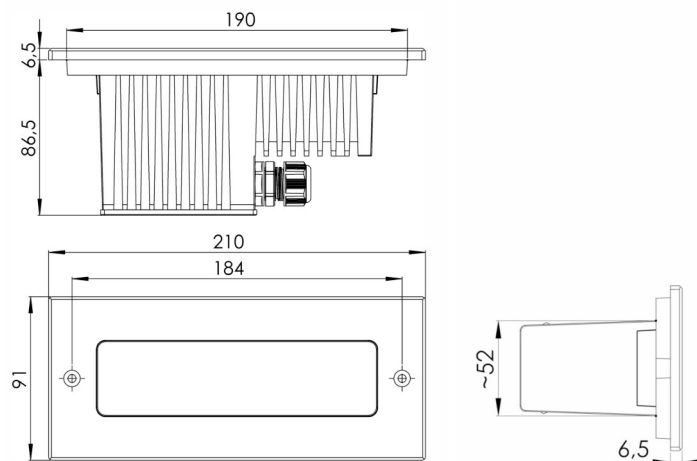
The WALL LIGHTS series was designed using modern simulation methods in order to obtain the highest product quality.



PRODUCT SPECIFICATIONS

Working temperature range	-20°C ÷ +55°C
Power consumption	9 W
IP protection class	IP65
Lifetime L80B10	≥ 60 000h
Impact resistance	IK10
Protection class	III
Connection	0,5 m
Wiring	-
Dimming	ON/OFF
Luminous flux tolerance	±10%
Angle of distribution	-

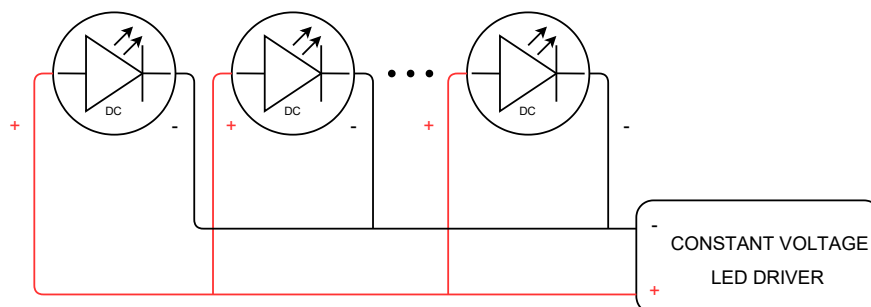
DIMENSIONAL DRAWINGS



RECUBE DW

CONNECTION

Connecting to the power supply should be done when the power supply is off .



ACCESSORIES

■ RECUBE ABS mounting accessory

