

RECUBE ALU/SST



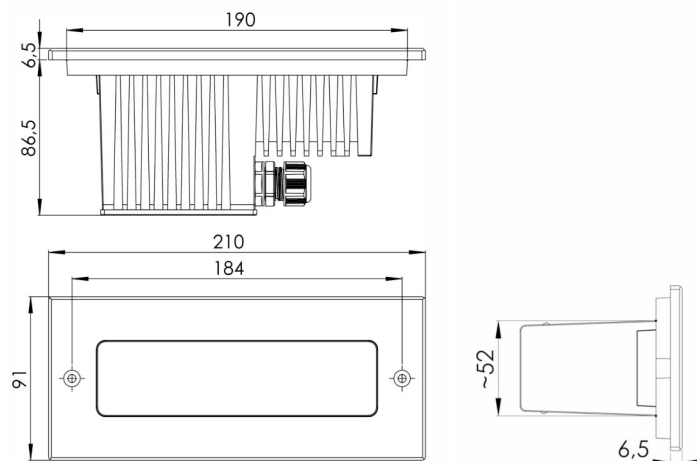
The WALL LIGHTS series was designed using modern simulation methods in order to obtain the highest product quality.



PRODUCT SPECIFICATIONS

Working temperature range	-20°C ÷ +55°C
Power consumption	11 W
IP protection class	IP65
Lifetime L80B10	≥ 60 000h
Impact resistance	IK10
Protection class	I
Connection	0,5 m
Wiring	H07RN-F 3G1
Dimming	ON/OFF
Luminous flux tolerance	±10%
Angle of distribution	40°/AS

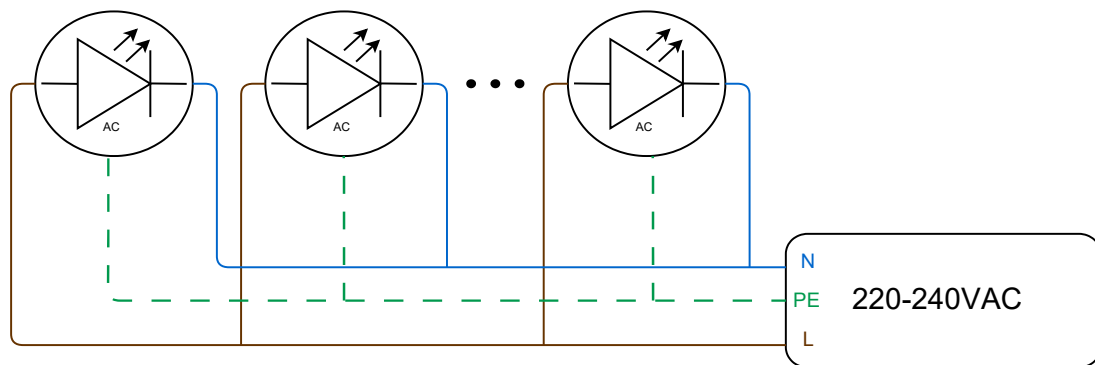
DIMENSIONAL DRAWINGS



RECUBE ALU/SST

CONNECTION

Connecting to the power supply should be done when the power supply is off .



ACCESSORIES

- RECUBE ABS mounting accessory

