

### AQUA FLOOD MICRO



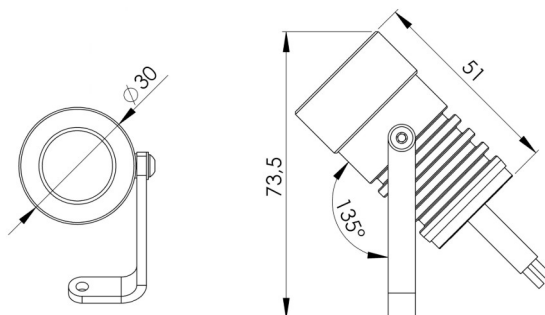
The AQUA series was designed using modern simulation methods in order to obtain the highest product quality.



#### PRODUCT SPECIFICATIONS

Working temperature range	-20°C ÷ +55°C
Power consumption	2,5W
IP protection class	IP68
Lifetime L80B10	≥ 60 000h
Impact resistance	IK10
Protection class	III
Connection	1.5m
Wiring	H05RN-F 2X0.5
Dimming	ON-OFF
Luminous flux tolerance	±10%
Angle of distribution	17°, 31°, 39°

#### DIMENSIONAL DRAWINGS



### AQUA FLOOD MICRO

#### CONNECTION

Connecting to the power supply should be done when the power supply is off .

