

TWIN WALL ROUND



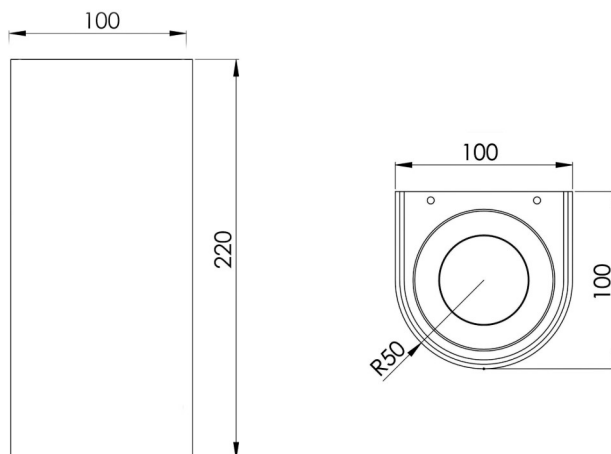
The TWIN WALL series was designed using modern simulation methods in order to obtain the highest product quality.



PRODUCT SPECIFICATIONS

| | |
|---------------------------|---------------|
| Working temperature range | -20°C ÷ +55°C |
| Power consumption | 24W |
| IP protection class | IP65 |
| Lifetime L80B10 | ≥ 40 000h |
| Impact resistance | IK07 |
| Protection class | I |
| Connection | - |
| Wiring | - |
| Dimming | DALI 2 |
| Luminous flux tolerance | ±10% |
| Angle of distribution | 18°, 36° |

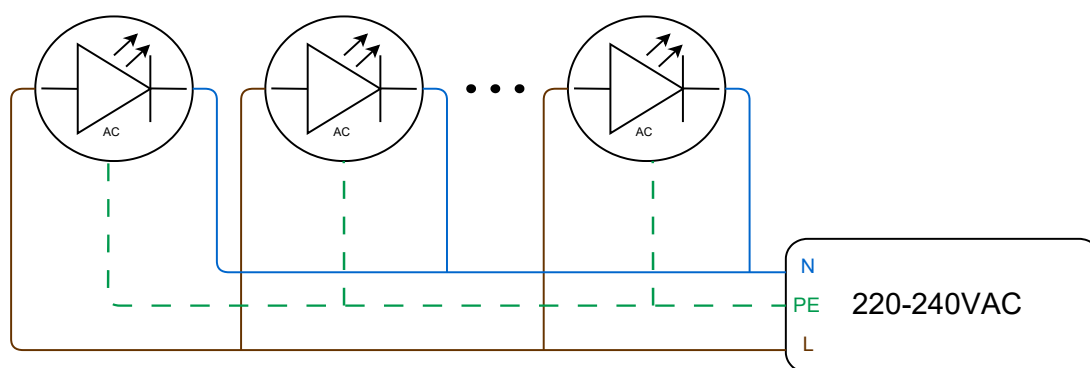
DIMENSIONAL DRAWINGS



TWIN WALL ROUND

CONNECTION

Connecting to the power supply should be done when the power supply is off .



ACCESSORIES

- TWIN WALL MASK mounting accessory

