

## AQUA MEDIUM RGBW



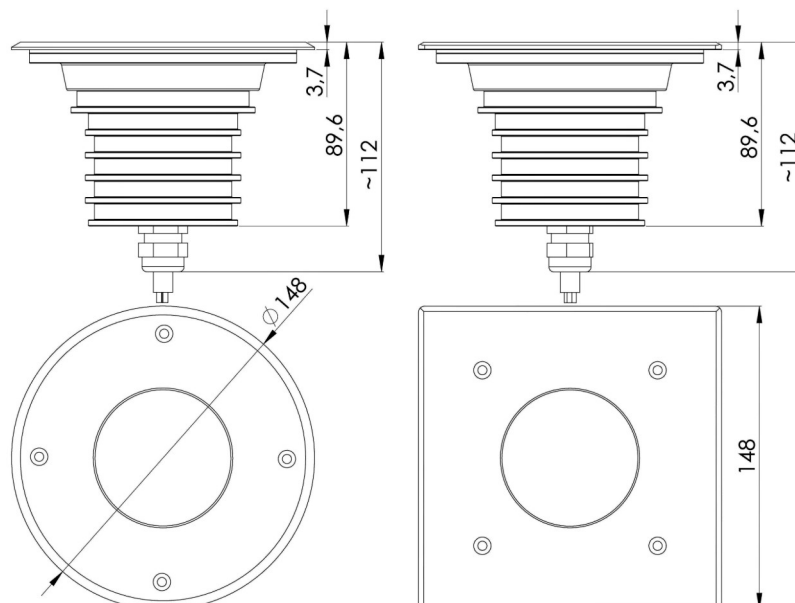
The AQUA series was designed using modern simulation methods in order to obtain the highest product quality.



### PRODUCT SPECIFICATIONS

Working temperature range	-20°C ÷ +55°C
Power consumption	24W
Power supply	12V/24V DC
IP protection class	IP68
Lifetime L80B10	≥ 65 000h
Impact resistance	IK10
Protection class	III
Connection	1.5m
Wiring	SIHF 5X0,5
Dimming	ON-OFF/PWM
Luminous flux tolerance	±10%
Angle of distribution	15°, 30°

### DIMENSIONAL DRAWINGS



## AQUA MEDIUM RGBW

### CONNECTION

Connecting to the power supply should be done when the power supply is off .

