

AQUA STANDARD RGB



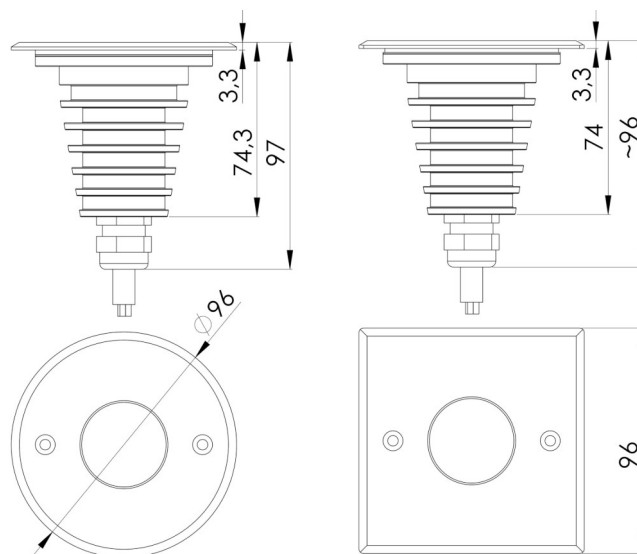
The AQUA series was designed using modern simulation methods in order to obtain the highest product quality.



PRODUCT SPECIFICATIONS

Working temperature range	-20°C ÷ +55°C
Power consumption	6W
IP protection class	IP68
Lifetime L80B10	≥ 65 000h
Impact resistance	IK10
Protection class	III
Connection	1.5m
Wiring	JZ-600 4G1
Dimming	ON-OFF/PWM
Luminous flux tolerance	±10%
Angle of distribution	30°, 50°

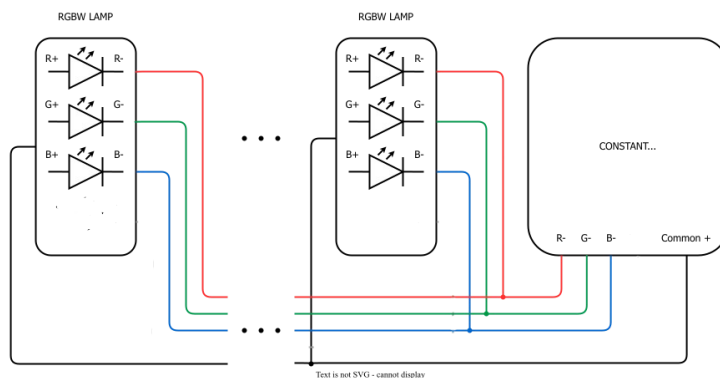
DIMENSIONAL DRAWINGS



AQUA STANDARD RGB

CONNECTION

Connecting to the power supply should be done when the power supply is off .



ACCESSORIES

- AQUA STANDARD ABS1 mounting accessory

