

### INGROUND STANDARD CLIP 230V



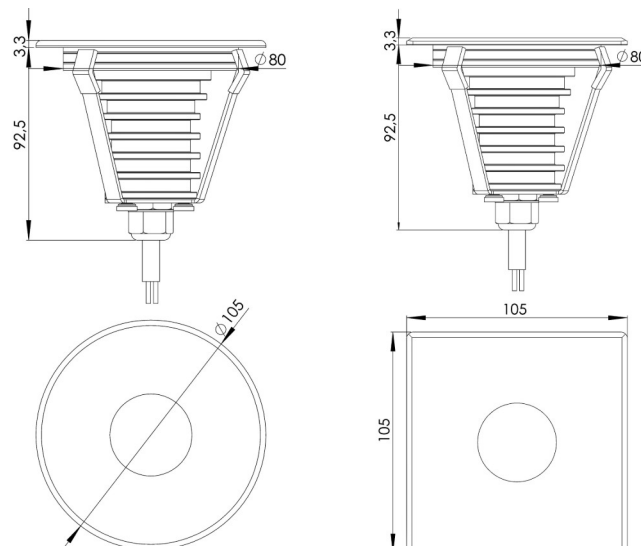
The INGROUND series was designed using modern simulation methods in order to obtain the highest product quality.



#### PRODUCT SPECIFICATIONS

Working temperature range	-20°C ÷ +55°C
Power consumption	7W
IP protection class	IP67
Lifetime L80B10	≥ 60 000h
Impact resistance	IK10
Protection class	I
Connection	0.5m
Wiring	H07RN-F 3G1
Dimming	ON-OFF
Luminous flux tolerance	±10%
Angle of distribution	10°, 20°, 45°

#### DIMENSIONAL DRAWINGS



### INGROUND STANDARD CLIP 230V

#### CONNECTION

Connecting to the power supply should be done when the power supply is off .

